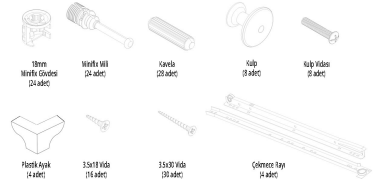


# Commode Installation Guide

## HAND TOOLS REQUIRED FOR INSTALLATION

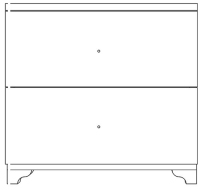


## ACCESSORIES LIST

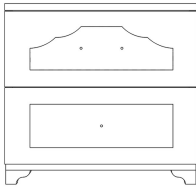


The number of handles varies according to different models.

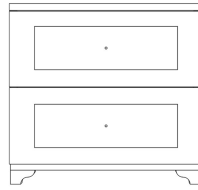
- Rose Model ve Side Model - 2
- Assos Model ve Efes Model - 2
- Olimpos Model - 1



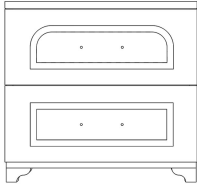
Rose



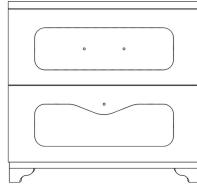
Assos



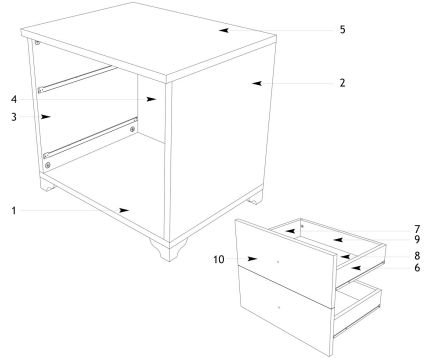
Side



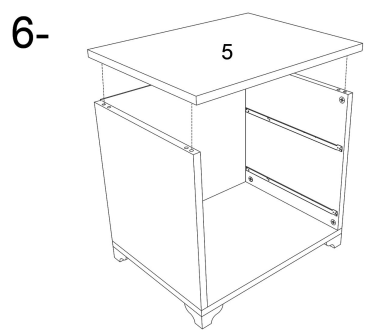
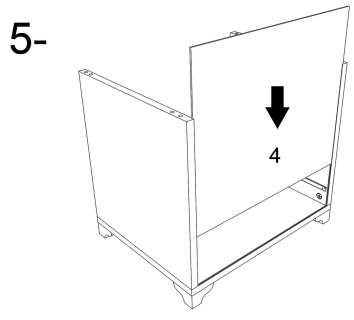
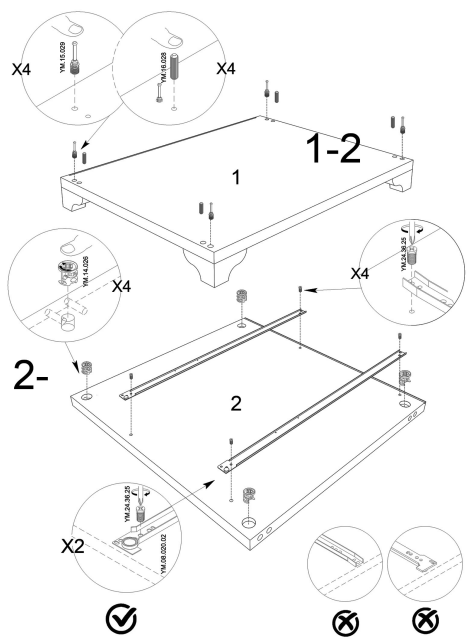
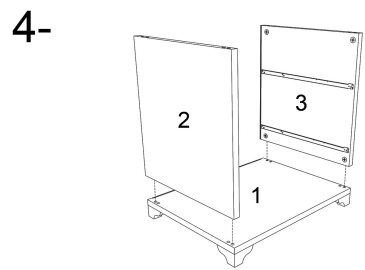
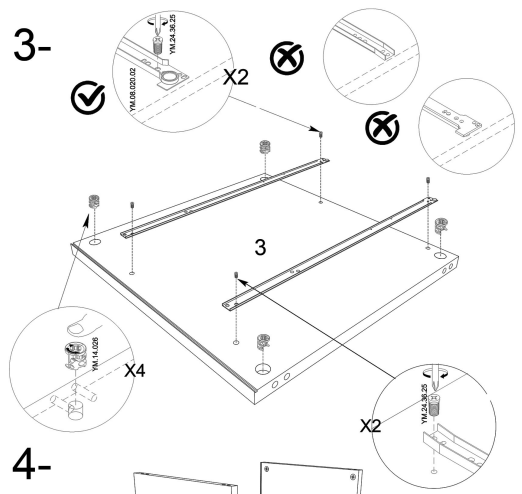
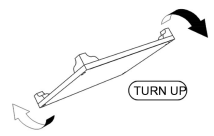
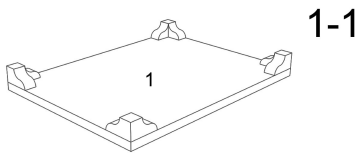
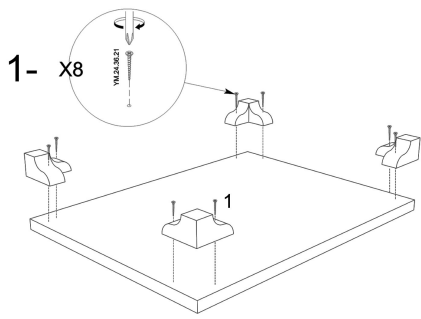
Olimpos

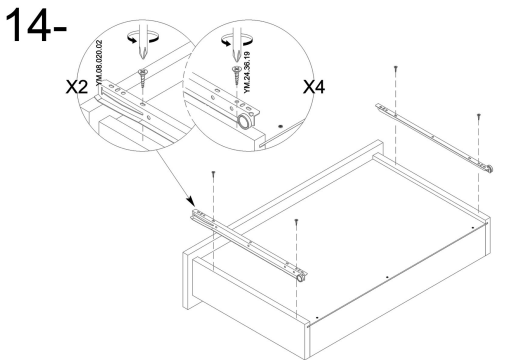
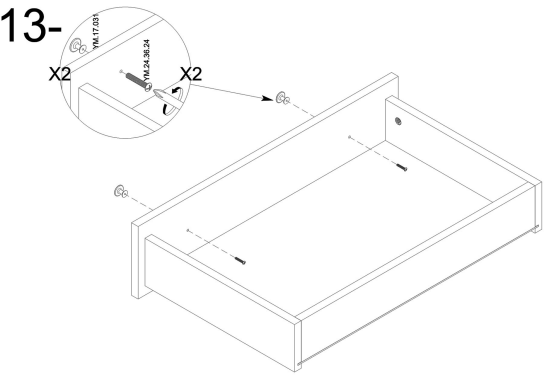
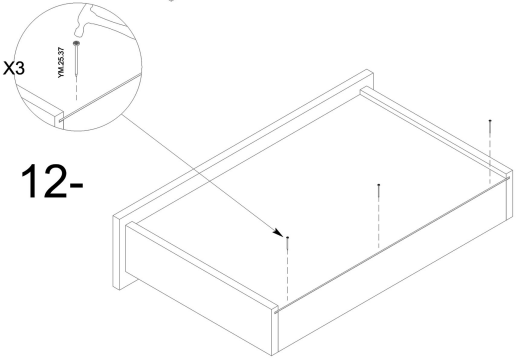
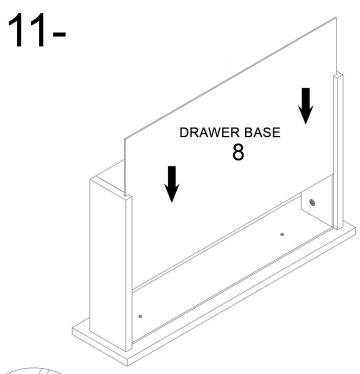
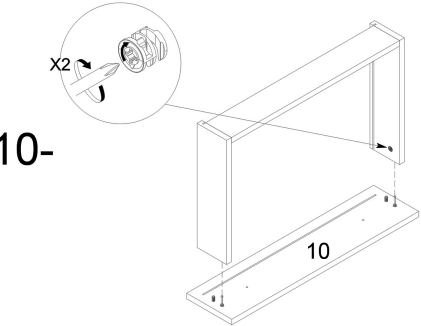
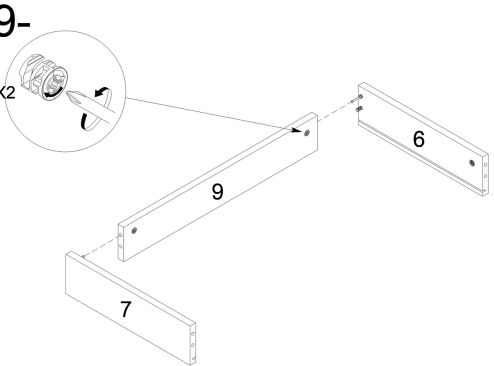
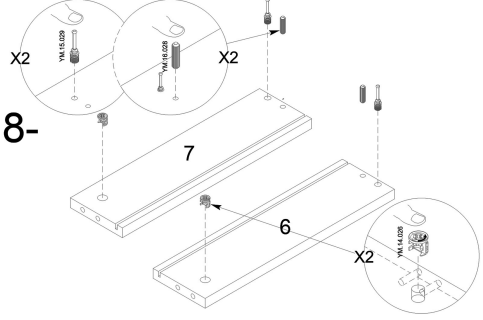
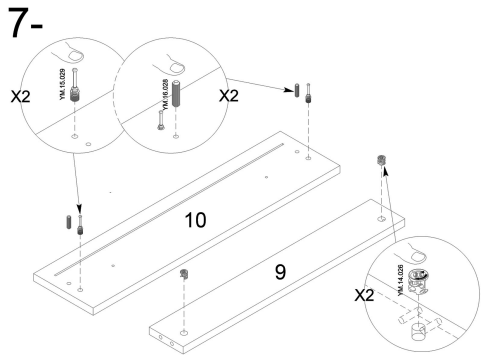


Efes

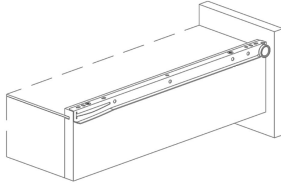
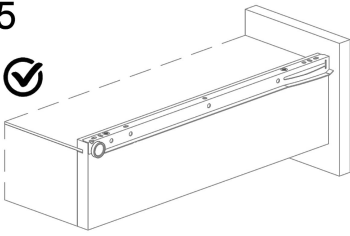


PART NUMBER	PART NAME	NUMBER OF PIECES
1	Bottom Table	1
2	Right Side Table	1
3	Left Side Table	1
4	Backrest	1
5	Bottom Table	1
6	Drawer Right Side	2
7	Drawer Left Side	2
8	Drawer Base	2
9	Drawer Back	2
10	Drawer Clasp	2

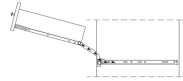
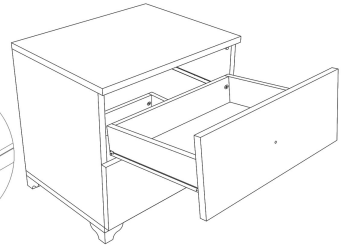
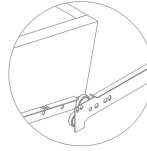




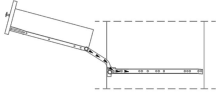
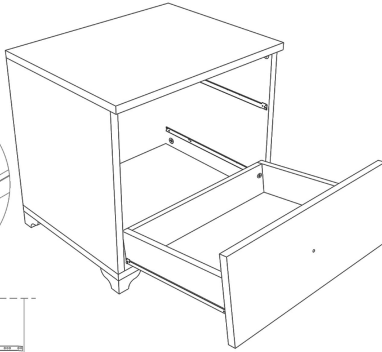
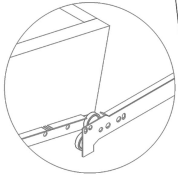
15



17



16



18



YOU HAVE COMPLETED THE PRODUCT INSTALLATION.